

Cold-Day Clothes

*I wake **up**. I get **up**. I will not stay **inside** today.
I will go **outside** to play;
because I know all the many ways
of getting dressed for a winter day.*

My feet are **in** my **red** socks.
(I put **on** my 'Spiderman' underwear).
My **blue** pants are **up**. My **blue** pants are **on**!
The zipper is **down**. The zipper is **up**!

My belt goes **through** the loops and **around**.
I can snap and hook and tie.
I can button and buckle, too.

Here goes the white sweater **over** my head.
My head is **through** the hole.
My arms go **through** the sleeves. The sweater is **on**!
A **green** scarf goes **around** my neck.

Now my feet are **in** my **black** galoshes. My galoshes are **on**!
My hands are **in** my **purple** mittens. The mittens are **on**!
A **yellow** cap is **on** my head.
My **orange** muffs are **over** my ears.
Now only my nose shows!

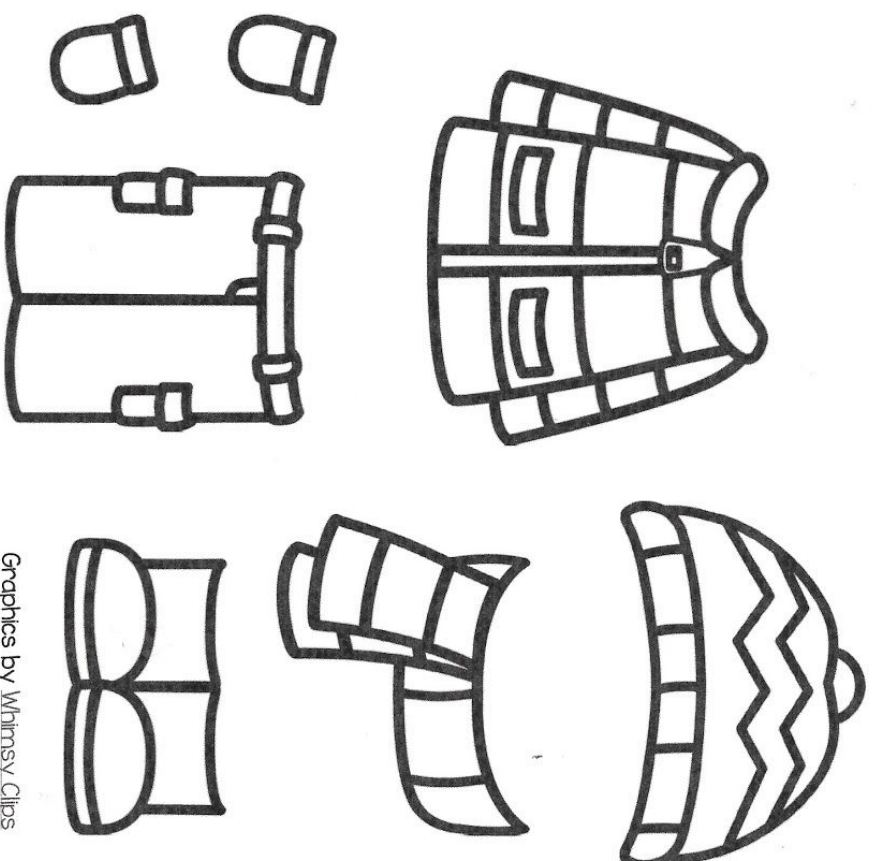
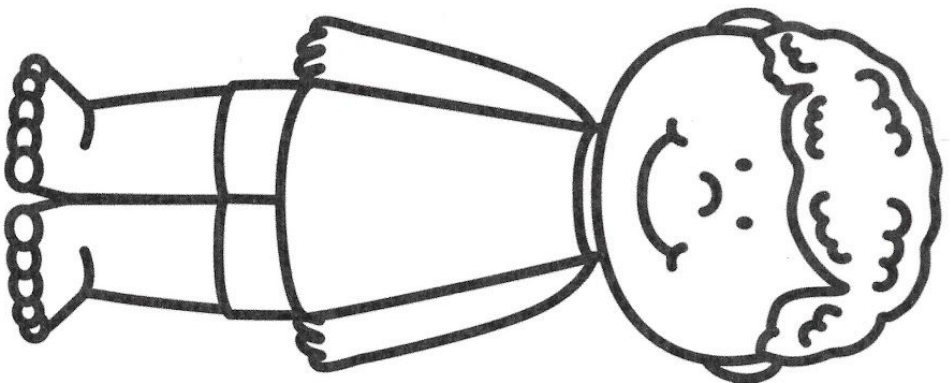
*Hooray! All my cold-day clothes are **on** !*

Outside, the snow falls.
The cold wind blows.
But I will be warm in my cold-day clothes

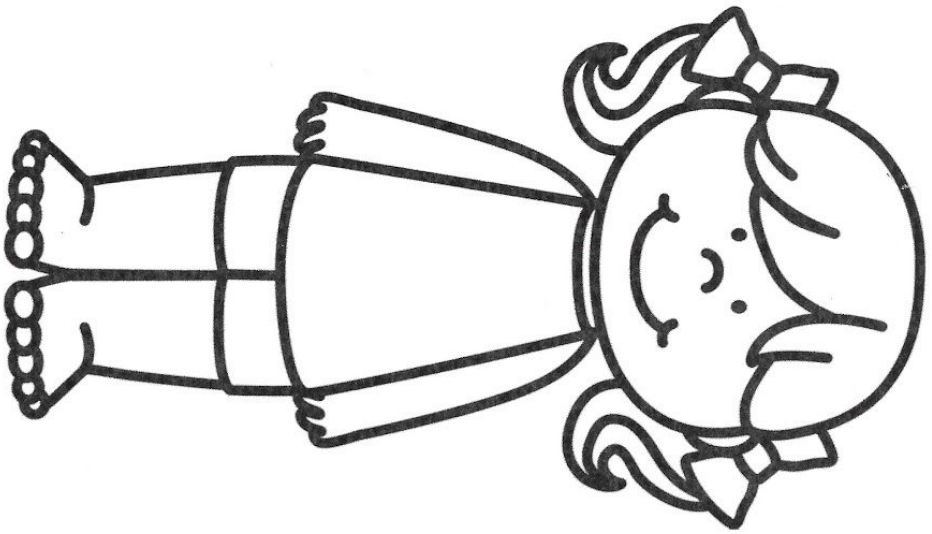
But, after I play, I may need some help
Getting my cold-day clothes **off** !

DRESS FOR WINTER

Color, cut and paste the winter clothes onto the child.

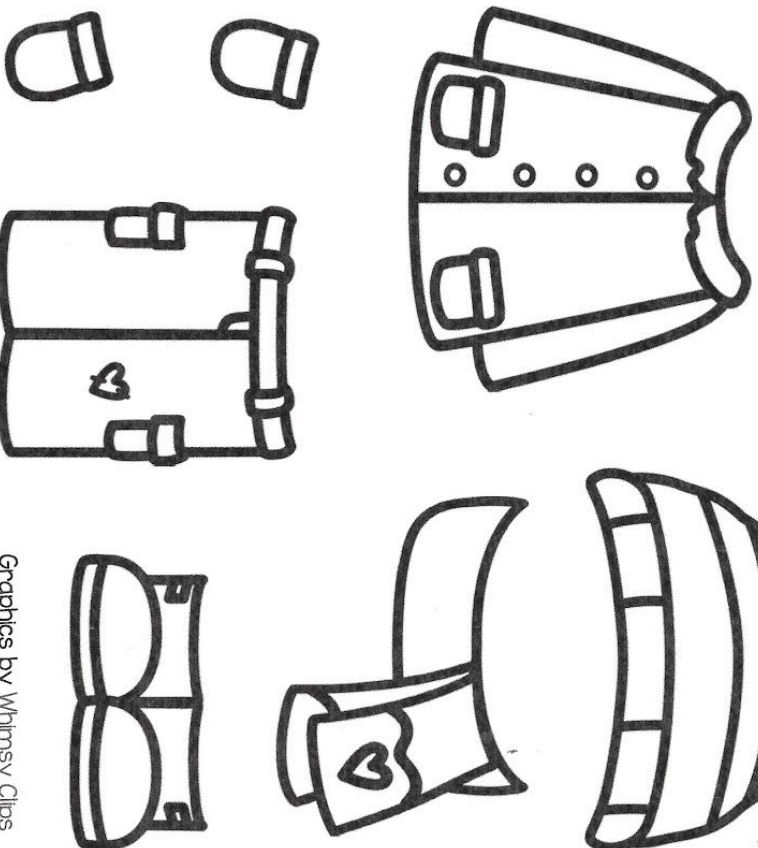


Graphics by Whimsy Clips
Find more activities
about winter clothes.



DRESS FOR WINTER

Color, cut and paste the winter clothes onto the child



Graphics by Whimsy Clips
Find more activities
about winter clothes.